



## INSPECTOR'S TEST GAUGE

- 3" Dial
- Vacuum to 1,000 psi Range
- Recalibrator on Dial Face
- ASME Grade 2A Accuracy

Marsh Inspector's Test Gauges are specifically designed for use by steam boiler, air brake and pressure system inspectors. The rugged 3" Inspector's Test Gauge features a nickel-plated case and an accuracy of  $\pm 0.5\%$  of span. The bushed Mastergauge movement with Recalibrator is standard for these gauges. Mating parts are of dissimilar metals to prevent seizing. Bearing sleeves are of bronze, and the sector is brass.

Typical applications include steam boiler, air brakes, pressure system inspectors, and for use on other testing applications.

### STANDARD RANGES & PART NUMBERS

TYPE	INSPECTOR'S TEST GAUGES
Size	3"
Case Material	Nickel Plated Brass
Internals	Copper Alloy
Mounting / Case Style	LM
Connection	1/4 NPT
Scale Standard	psi/kPa
0 to 30" Hg VAC	D1505
0 to 15 psi	D1540
0 to 30 psi	D1542
0 to 60 psi	D1546
0 to 100 psi	D1548
0 to 160 psi	D1552
0 to 200 psi	D1554
0 to 300 psi	D1558
0 to 600 psi	D1564
0 to 1,000 psi	D1572

### SPECIFICATIONS

#### ACCURACY

ASME Grade 2A -  $\pm 0.5\%$  of span across full scale

#### CASE SIZES

3" diameter

#### CASE MATERIAL

Brass, Nickel Plated

#### CASE STYLE

Lower Mount with threaded ring

#### TUBE & SOCKET

Copper alloy

#### MOVEMENT

Brass

#### RECALIBRATOR

Standard

#### CONNECTION

1/4 NPT

#### RANGES

0 to 30" Hg VAC; 15 to 1,000 psi

#### DIAL STANDARD

Dual Scale psi/kPa

#### DIAL COLOR

Black markings on white

#### POINTER

Aluminum, black painted, knife-edge

#### WINDOW

Beveled glass

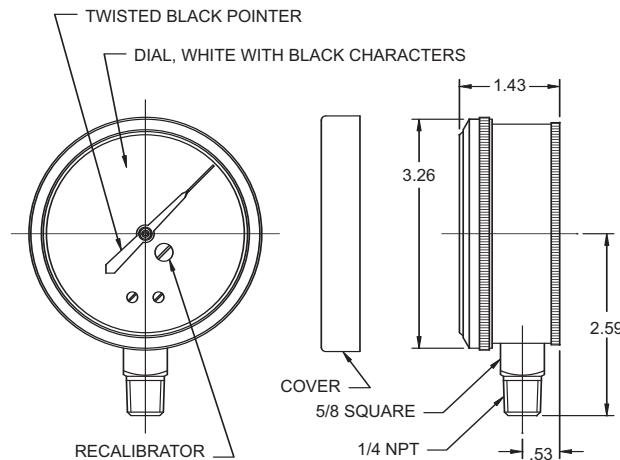
#### PROTECTIVE COVER

Opaque plastic lens cover

#### WEIGHT

2.0 lb.

ALL DIMENSIONS ARE NOMINAL



### INSPECTOR'S TEST GAUGE OPTIONS

OPTION	TYPE	SUFFIX	AVAILABLE ON MODELS
Restrictors	Add restrictor	H	All ranges
	psi only	E	See Marsh Price List for minimum
	bar only	L1	
	kg/cm <sup>2</sup> only	L2	
	kPa only	L3	
	MPa only	L4	
	psi & bar	W1	
	psi & kg/cm <sup>2</sup>	W2	
psi & MPa	W4		
Custom Dials	Logo or Custom Face	M	All models - consult factory

